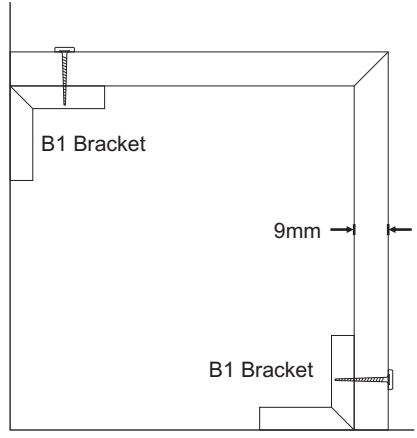


Perspective View (N.T.S.)



Typical Installation Detail (1 : 2)

Brief Specification

Product - Square Corner Two Sided Pipe Boxing
Core material - 9mm moisture resistant mdf
Finish - Standard White (paintable) or White Gloss
Fittings - See table below
Accessories - Screws, White Caps, Brackets.

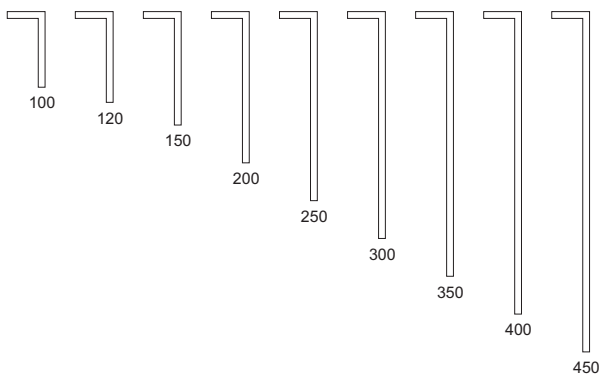
Available Fitting	Maximum Size Limit
Cover Strips	All Sizes
Stop Ends	All Sizes
Inside Corners (standard)	Depth 250mm ; Height 450mm
Inside Corners (reverse angle)	Depth 200mm ; Height 300mm
Outside Corners	Depth 250mm ; Height 450mm



BSMW Products Limited
 Birds Royd Lane
 Brighouse
 West Yorkshire
 HD6 1LQ

Tel: 01484 713748
 Email: sales@pipecasings.co.uk
 Web: www.pipecasings.co.uk

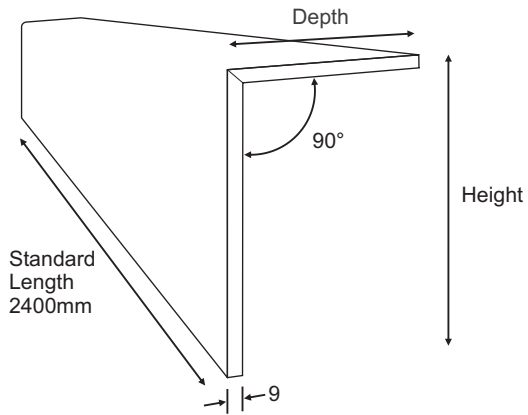
Notes



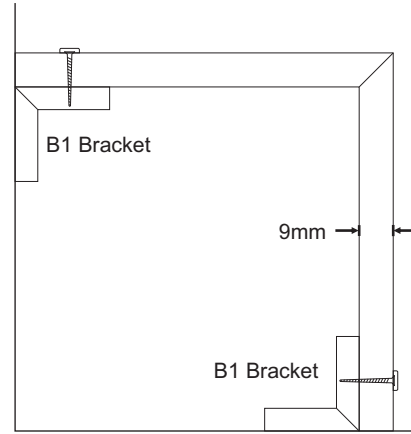
50mm Deep Sections (1 : 10)

Drawing Title
Zylo Pipe Boxing
BX2 Profile Sections
Depth - 50mm

Drawing No. BX2 / 50		Revision -
Size A4	Scale See Drawing	Date Nov 2016



Perspective View (N.T.S.)



Typical Installation Detail (1 : 2)

Brief Specification

Product - Square Corner Two Sided Pipe Boxing

Core material - 9mm moisture resistant mdf

Finish - Standard White (paintable) or White Gloss

Fittings - See table below

Accessories - Screws, White Caps, Brackets.

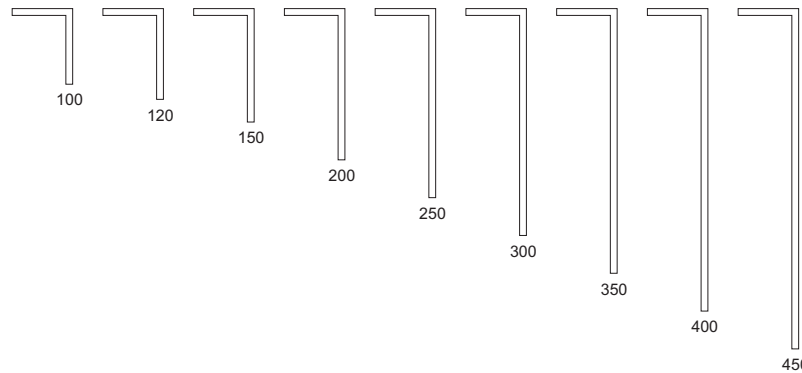
Available Fitting	Maximum Size Limit
Cover Strips	All Sizes
Stop Ends	All Sizes
Inside Corners (standard)	Depth 250mm ; Height 450mm
Inside Corners (reverse angle)	Depth 200mm ; Height 300mm
Outside Corners	Depth 250mm ; Height 450mm



BSMW Products Limited
Birds Royd Lane
Brighouse
West Yorkshire
HD6 1LQ

Tel: 01484 713748
Email: sales@pipecasings.co.uk
Web: www.pipecasings.co.uk

Notes

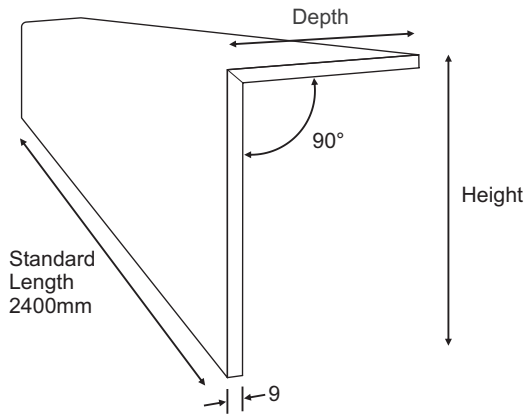


80mm Deep Sections (1 : 10)

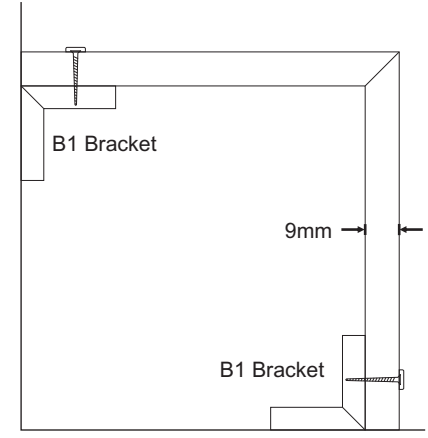
Drawing Title

Zylo Pipe Boxing
BX2 Profile Sections
Depth - 80mm

Drawing No. BX2 / 80		Revision -
Size A4	Scale See Drawing	Date Nov 2016



Perspective View (N.T.S.)



Typical Installation Detail (1 : 2)

Brief Specification

Product - Square Corner Two Sided Pipe Boxing
Core material - 9mm moisture resistant mdf
Finish - Standard White (paintable) or White Gloss
Fittings - See table below
Accessories - Screws, White Caps, Brackets.

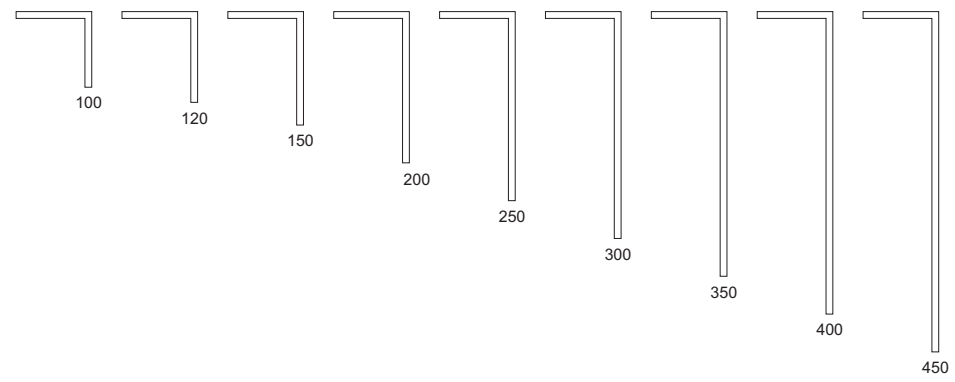
Available Fitting	Maximum Size Limit
Cover Strips	All Sizes
Stop Ends	All Sizes
Inside Corners (standard)	Depth 250mm ; Height 450mm
Inside Corners (reverse angle)	Depth 200mm ; Height 300mm
Outside Corners	Depth 250mm ; Height 450mm



BSMW Products Limited
 Birds Royd Lane
 Brighouse
 West Yorkshire
 HD6 1LQ

Tel: 01484 713748
 Email: sales@pipecasings.co.uk
 Web: www.pipecasings.co.uk

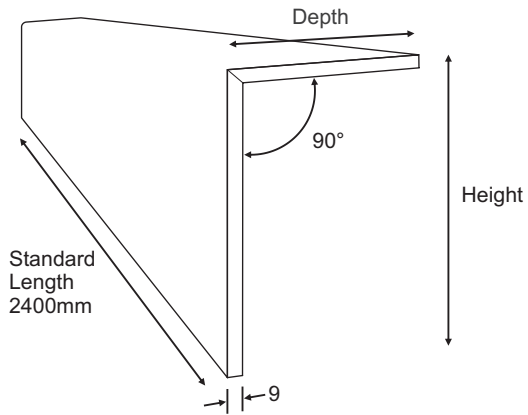
Notes



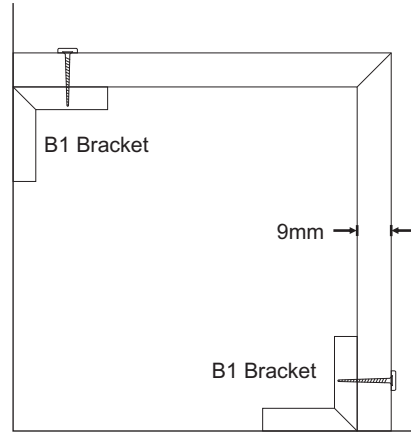
100mm Deep Sections (1 : 10)

Drawing Title
Zylo Pipe Boxing
BX2 Profile Sections
Depth - 100mm

Drawing No. BX2 / 100		Revision -
Size A4	Scale See Drawing	Date Nov 2016



Perspective View (N.T.S.)



Typical Installation Detail (1 : 2)

Brief Specification

Product - Square Corner Two Sided Pipe Boxing

Core material - 9mm moisture resistant mdf

Finish - Standard White (paintable) or White Gloss

Fittings - See table below

Accessories - Screws, White Caps, Brackets.

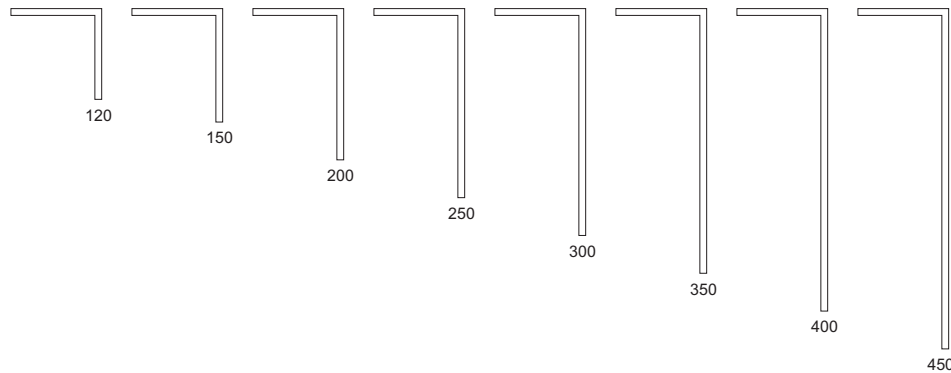
Available Fitting	Maximum Size Limit
Cover Strips	All Sizes
Stop Ends	All Sizes
Inside Corners (standard)	Depth 250mm ; Height 450mm
Inside Corners (reverse angle)	Depth 200mm ; Height 300mm
Outside Corners	Depth 250mm ; Height 450mm



BSMW Products Limited
Birds Royd Lane
Brighouse
West Yorkshire
HD6 1LQ

Tel: 01484 713748
Email: sales@pipecasings.co.uk
Web: www.pipecasings.co.uk

Notes

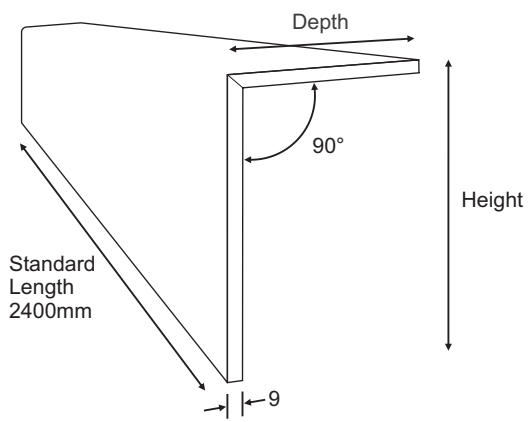


120mm Deep Sections (1 : 10)

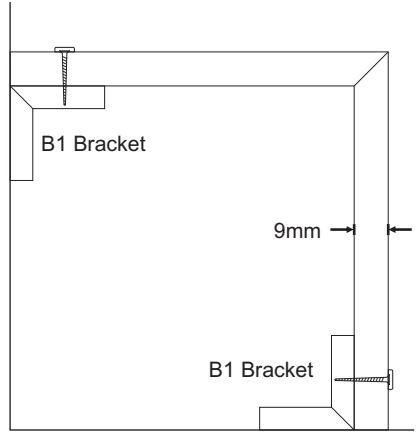
Drawing Title

Zylo Pipe Boxing
BX2 Profile Sections
Depth - 120mm

Drawing No. BX2 / 120		Revision -
Size A4	Scale See Drawing	Date Nov 2016



Perspective View (N.T.S.)



Typical Installation Detail (1 : 2)

Brief Specification

Product - Square Corner Two Sided Pipe Boxing
Core material - 9mm moisture resistant mdf
Finish - Standard White (paintable) or White Gloss
Fittings - See table below
Accessories - Screws, White Caps, Brackets.

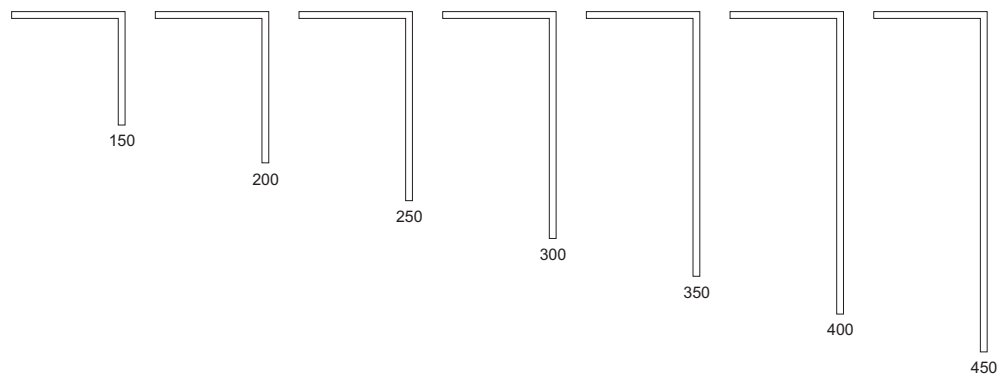
Available Fitting	Maximum Size Limit
Cover Strips	All Sizes
Stop Ends	All Sizes
Inside Corners (standard)	Depth 250mm ; Height 450mm
Inside Corners (reverse angle)	Depth 200mm ; Height 300mm
Outside Corners	Depth 250mm ; Height 450mm



BSMW Products Limited
 Birds Royd Lane
 Brighouse
 West Yorkshire
 HD6 1LQ

Tel: 01484 713748
 Email: sales@pipecasings.co.uk
 Web: www.pipecasings.co.uk

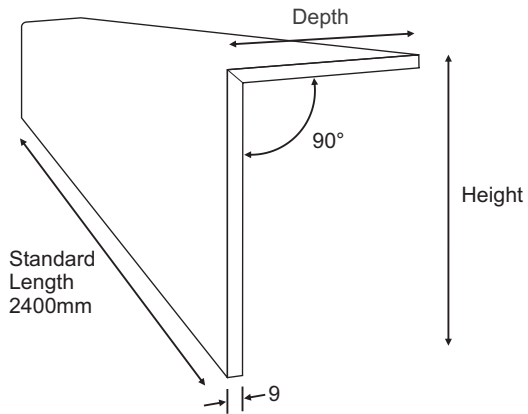
Notes



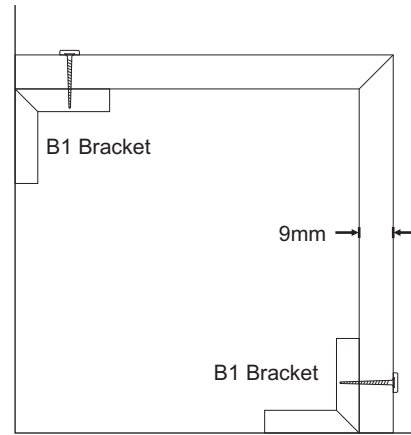
150mm Deep Sections (1 : 10)

Drawing Title
Zylo Pipe Boxing
BX2 Profile Sections
Depth - 150mm

Drawing No. BX2 / 150		Revision -
Size A4	Scale See Drawing	Date Nov 2016



Perspective View (N.T.S.)



Typical Installation Detail (1 : 2)

Brief Specification

Product - Square Corner Two Sided Pipe Boxing

Core material - 9mm moisture resistant mdf

Finish - Standard White (paintable) or White Gloss

Fittings - See table below

Accessories - Screws, White Caps, Brackets.

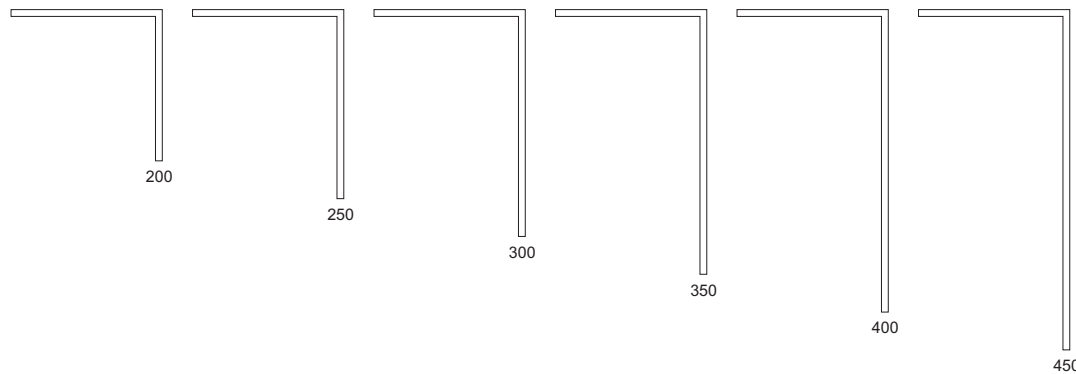
Available Fitting	Maximum Size Limit
Cover Strips	All Sizes
Stop Ends	All Sizes
Inside Corners (standard)	Depth 250mm ; Height 450mm
Inside Corners (reverse angle)	Depth 200mm ; Height 300mm
Outside Corners	Depth 250mm ; Height 450mm



BSMW Products Limited
Birds Royd Lane
Brighouse
West Yorkshire
HD6 1LQ

Tel: 01484 713748
Email: sales@pipecasings.co.uk
Web: www.pipecasings.co.uk

Notes

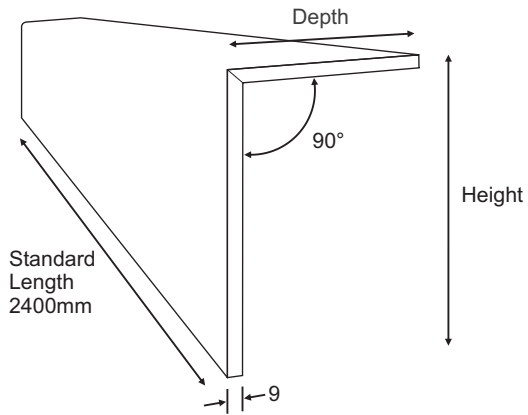


200mm Deep Sections (1 : 10)

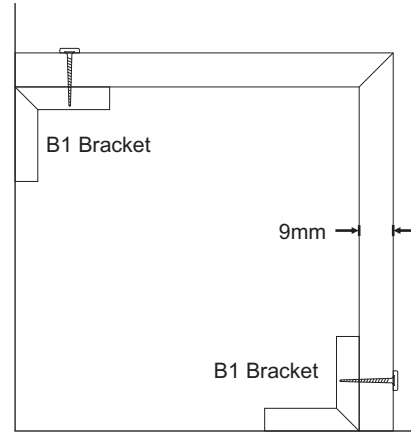
Drawing Title

Zylo Pipe Boxing
BX2 Profile Sections
Depth - 200mm

Drawing No. BX2 / 200		Revision -
Size A4	Scale See Drawing	Date Nov 2016



Perspective View (N.T.S.)



Typical Installation Detail (1 : 2)

Brief Specification

Product - Square Corner Two Sided Pipe Boxing

Core material - 9mm moisture resistant mdf

Finish - Standard White (paintable) or White Gloss

Fittings - See table below

Accessories - Screws, White Caps, Brackets.

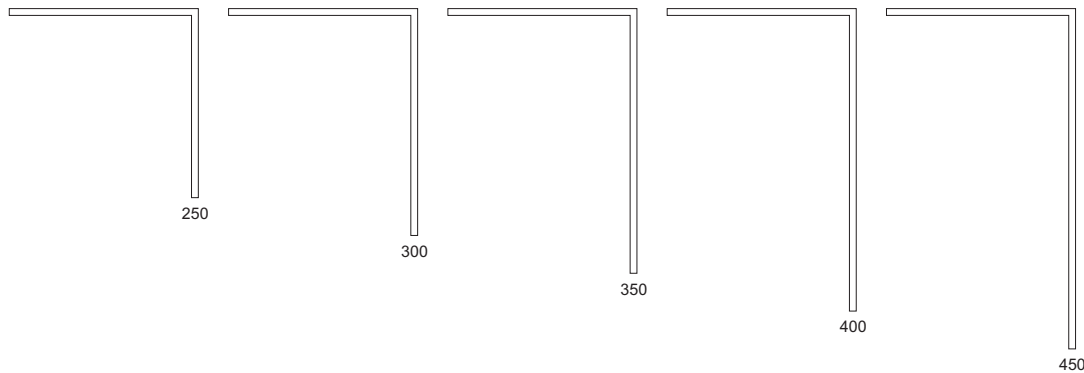
Available Fitting	Maximum Size Limit
Cover Strips	All Sizes
Stop Ends	All Sizes
Inside Corners (standard)	Depth 250mm ; Height 450mm
Inside Corners (reverse angle)	Depth 200mm ; Height 300mm
Outside Corners	Depth 250mm ; Height 450mm



BSMW Products Limited
Birds Royd Lane
Brighouse
West Yorkshire
HD6 1LQ

Tel: 01484 713748
Email: sales@pipecasings.co.uk
Web: www.pipecasings.co.uk

Notes

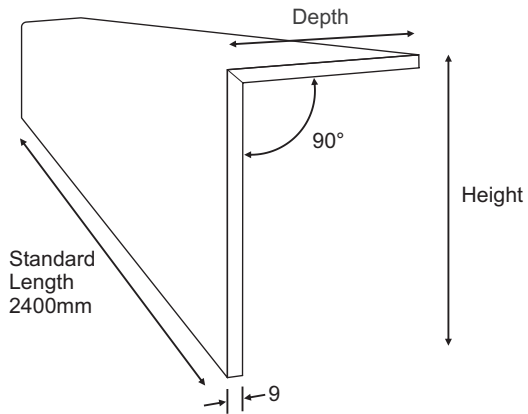


250mm Deep Sections (1 : 10)

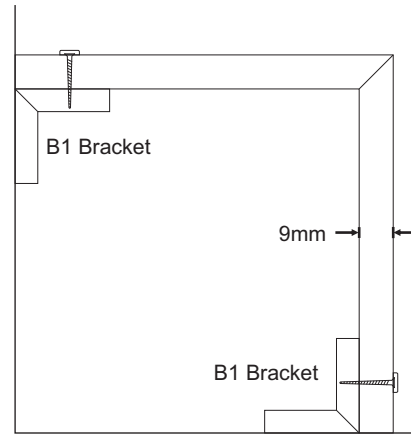
Drawing Title

Zylo Pipe Boxing
BX2 Profile Sections
Depth - 250mm

Drawing No. BX2 / 250		Revision -
Size A4	Scale See Drawing	Date Nov 2016



Perspective View (N.T.S.)



Typical Installation Detail (1 : 2)

Brief Specification

Product - Square Corner Two Sided Pipe Boxing

Core material - 9mm moisture resistant mdf

Finish - Standard White (paintable) or White Gloss

Fittings - See table below

Accessories - Screws, White Caps, Brackets.

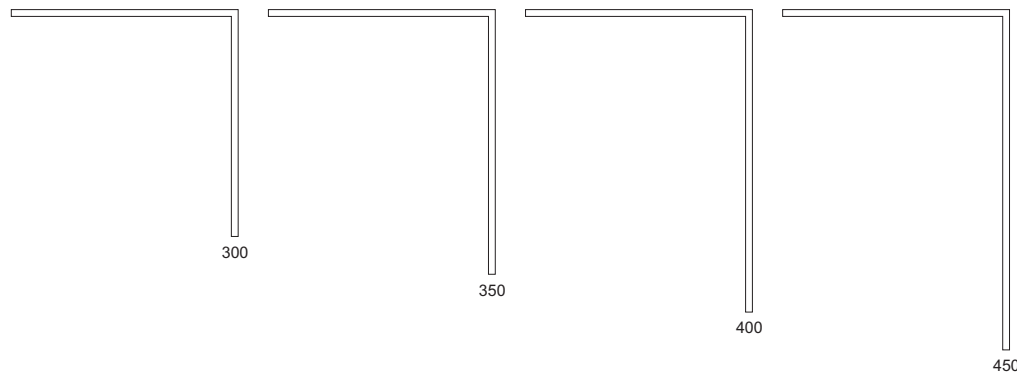
Available Fitting	Maximum Size Limit
Cover Strips	All Sizes
Stop Ends	All Sizes
Inside Corners (standard)	Depth 250mm ; Height 450mm
Inside Corners (reverse angle)	Depth 200mm ; Height 300mm
Outside Corners	Depth 250mm ; Height 450mm



BSMW Products Limited
Birds Royd Lane
Brighouse
West Yorkshire
HD6 1LQ

Tel: 01484 713748
Email: sales@pipecasings.co.uk
Web: www.pipecasings.co.uk

Notes

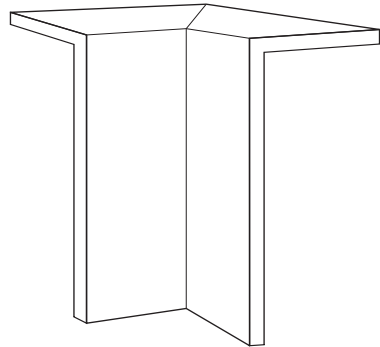


300mm Deep Sections (1 : 10)

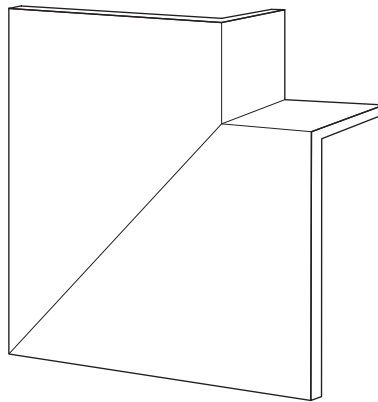
Drawing Title

Zylo Pipe Boxing
BX2 Profile Sections
Depth - 300mm

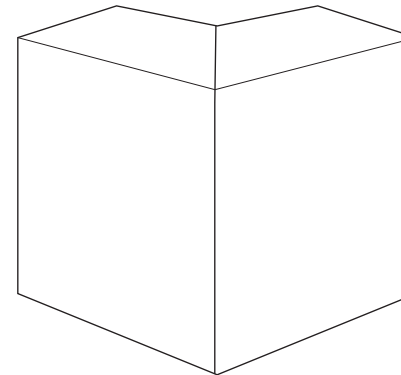
Drawing No. BX2 / 300		Revision -
Size A4	Scale See Drawing	Date Nov 2016



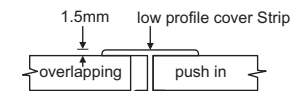
**Inside Corner
(Standard)**



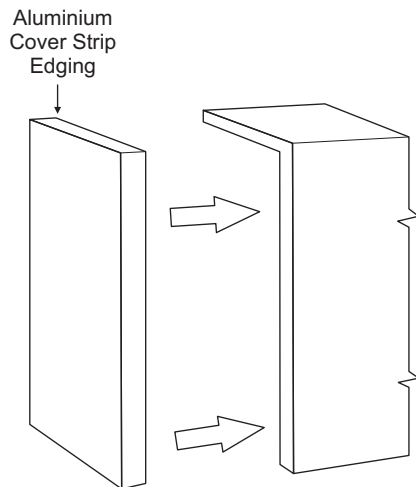
**Inside Corner
(Reverse Angle)**



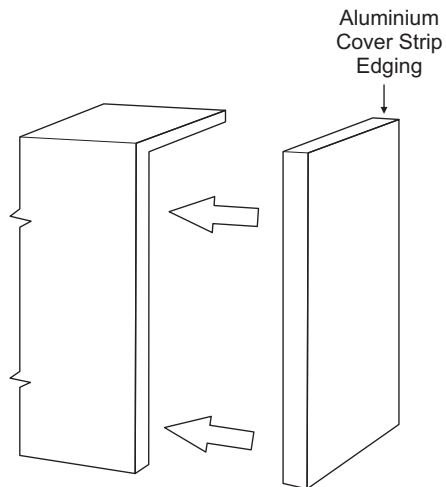
Outside Corner



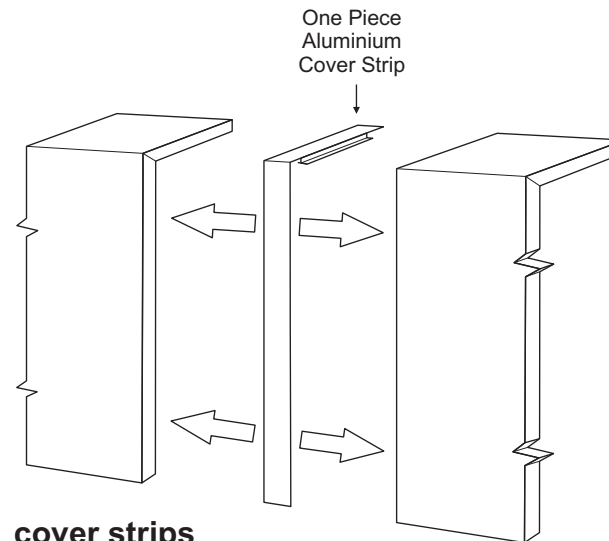
Cover Strip Joint Detail (1 : 2)



Stop End (lhs)



Stop End (rhs)



cover strips

Notes

Drawing Title

Zylo Pipe Boxing
BX2 Profile Sections
Fitting Details

Drawing No. BX2 / Fittings	Revision -
--------------------------------------	---------------

Size A4	Scale See Drawing	Date Nov 2016
-------------------	-----------------------------	-------------------------